

kenera

BATTERY ENERGY STORAGE SYSTEM

HYBRID DRILLING FOR REDUCED OPERATING COSTS AND A LOWER ENVIRONMENTAL FOOTPRINT



The Kenera Battery Energy Storage System (BESS) is a modular power management solution designed to help decarbonise your existing operational set up, optimising asset performance through a reduction in operating costs, whilst taking a sustainable approach to emissions reduction.

WHAT DOES IT DO?

BESS enables rigs to run with fewer engines more efficiently, leading to reduced engine runtime, overall lower diesel consumption and ultimately performing at a lower carbon footprint. It can also address the provision of increasing environmental market regulations.

HOW DOES IT WORK?

The BESS uses battery modules, consisting of Battery Power Control Rooms (BPCRs) equipped with battery racks, power and auxiliary panels, main circuit breakers and a heating/ventilation and air conditioner (HVAC) system.

A typical BESS set up will replace one diesel generator set and is a containerised system of module design typically comprising of two units to ensure built in redundancy in your operations.

DESIGNED WITH EXPERTISE

The fully scalable BESS unit provides proven and proprietary technology from a company backed by more than 130 years of drilling rig and oilfield expertise to support your decarbonisation journey.

Lower diesel consumption

- ✓ Up to 20% diesel and associated costs.

Lower CO₂ emissions

- ✓ Up to 20% CO₂ reduction.

Lower operating costs

- ✓ Up to 40% reduced generator operating hours and lower maintenance costs.

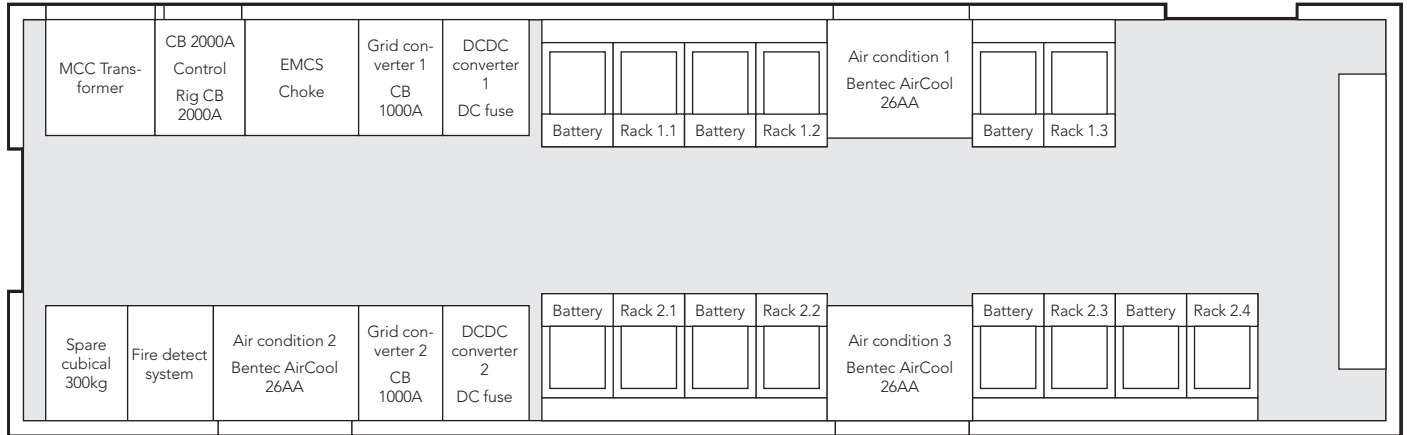
Additional benefits

- ✓ Scalable modular solution
- ✓ Optimise asset performance
- ✓ Transient events and black start capability
- ✓ Available for the harshest environments
- ✓ Fully compliant with global safety standards



SAMPLE SPECIFICATIONS

Can be tailored to your project requirements.



Dimensions	10m x 3m x 3m
Weight	~30t
Cell technology	Lithium Iron Phosphate (LFP)

Battery capacity	800kWh
Maximum power	1400 – 1600kW (2C)
Environmental conditions	Desert: -10 to +55°C Arctic: -45 to +40°C

FEATURES

- Turnkey, walk-in unit (custom build available)
- Tailor made energy management system
- Energy Monitoring & Consumption System (EMCS) coordinates power sources and remote start/stop of generators
- Various battery technologies available
- Bentec AirCool cooling system
- Fire extinguisher system
- 24/7/365 support including remote access (rigCARE)

ALTERNATIVE APPLICATIONS

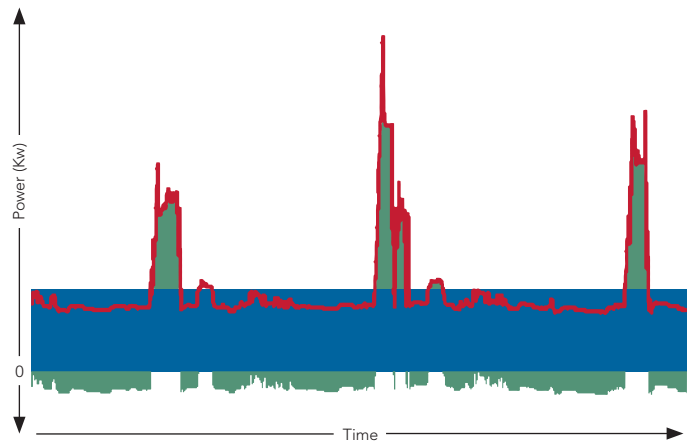
- Grid balancing
- Industrial scale peak shaving services
- Uninterruptible power supply (UPS)
- Energy trading

MARKET SECTORS

- Oil and gas – on-and-offshore
- Renewables – onshore wind & solar farms
- Industrial/commercial
- Utilities/power generation
- Chemical

PEAK SHAVING

Peak loads during tripping or drilling are supplied by battery power. Breaking energy is then used to recharge the BESS.



- BESS (peak shaving or charging)
- Generator (constant load)
- Rig demand



Visit www.kenera.com
Contact sales@kenera.com for the latest information

Part of the KCA Deutag Group

#enhancethebrand

kenera

Details are subject to continual product development

12077 September 2023